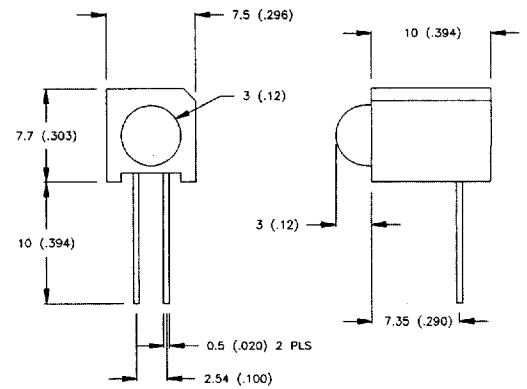


SSF-LXH2355XX SERIES P.C. MOUNT LED-FLANGED LED

FEATURES		APPLICATIONS		MATERIAL SPECIFICATIONS			
<ul style="list-style-type: none"> • Easy P.C. Installation • Fast Delivery Style • Choice of Colors, Current • Blinking Type Option 		<ul style="list-style-type: none"> • Fault Indicator • Back Lighting Indicator • P.C. Mount Indicators 		<ul style="list-style-type: none"> • Holder: Black or White Nylon • Termination: 0.5mm □ Leads • Installation: P.C. Mount/Solder 			
LUMEX PART NBR	EMITTED COLOR	OPERATING CURRENT (mA)	OPERATING TYP Volts (V)	BRIGHTNESS TYP (mCD) @	LED SERIES USED		
	PEAK(nm)			mA			
SSF-LXH2355ID	RED	635	10-25	2.1	8	20	SSL-LX5093XX
SSF-LXH2355SRD	RED	660	10-25	1.7	35	20	SSL-LX5093XX
SSF-LXH2355GD	GREEN	565	10-25	2.1	8	20	SSL-LX5093XX
SSF-LXH2355YD	YELLOW	585	10-25	2.1	8	20	SSL-LX5093XX
BI-COLOR OPTION							
SSF-LXH2355HGW	RED/GREEN	695/565	10-25	2.1	6/6	20	SSL-LX5093HGW
LOW CURRENT OPTIONS							
SSF-LXH2355LID	RED	635	1-5	1.8	1.2	2	SSL-LX5093LXX
SSF-LXH2355LGD	GREEN	565	1-5	1.8	1.2	2	SSL-LX5093LXX
SSF-LXH2355LYD	YELLOW	585	1-5	1.8	1.2	2	SSL-LX5093LXX
BLINKING OPTION							
SSF-LXH2355BID	RED	635	10-20	3-15V	8	9V	SSL-LX5093LXX

See pages 8 -14 for Max.operating limits and operating curves

DIMENSIONS (mm/inch) ±.2mm

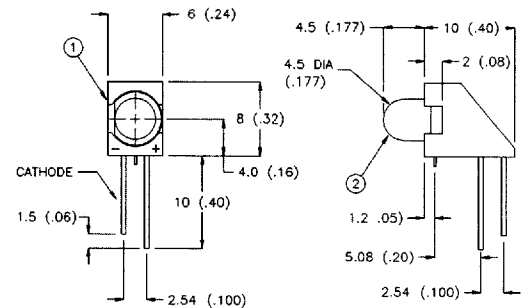


SSF-LXH2350XX SERIES P.C. LED OFF-SET FOOT PRINT

FEATURES		APPLICATIONS		MATERIAL SPECIFICATIONS			
<ul style="list-style-type: none"> • Easy P.C. Installation • Fast Delivery • Choice of Colors, Current 		<ul style="list-style-type: none"> • Fault Indicator • Back Lighting Indicator • P.C. Mount Indicators 		<ul style="list-style-type: none"> • Holder: Black Polycarbonate • Termination: 0.5mm □ Leads • Installation: P.C. Mount/Solder 			
LUMEX PART NBR	EMITTED COLOR	OPERATING CURRENT (mA)	OPERATING TYP Volts (V)	BRIGHTNESS TYP (mCD) @	LED SERIES USED		
	PEAK(nm)			mA			
SSF-LXH2350ID	RED	635	10-25	2.1	8	20	SSL-LX4073XX
SSF-LXH2350SRD	RED	660	10-25	1.7	35	20	SSL-LX4073XX
SSF-LXH2350GD	GREEN	565	10-25	2.1	8	20	SSL-LX4073XX
SSF-LXH2350YD	YELLOW	585	10-25	2.1	8	20	SSL-LX4073XX
BI-COLOR OPTION							
SSF-LXH2350HGW	RED/GREEN	695/565	10-25	2.1	6/6	20	SSL-LX4073HGW
LOW CURRENT OPTIONS							
SSF-LXH2350LID	RED	635	1-5	1.8	1.2	2	SSL-LX4073LXX
SSF-LXH2350LGD	GREEN	565	1-5	1.8	1.2	2	SSL-LX4073LXX
SSF-LXH2350LYD	YELLOW	585	1-5	1.8	1.2	2	SSL-LX4073LXX

See pages 8 -14 for Max.operating limits and operating curves

DIMENSIONS (mm/inch) ±.2mm



SSF-LXH1071 SERIES P.C. LED/INTENSE LIGHT PIPE

FEATURES		APPLICATIONS		MATERIAL SPECIFICATIONS			
<ul style="list-style-type: none"> • Easy P.C. Installation • White Light Pipe Holder • Choice of Colors, Current 		<ul style="list-style-type: none"> • Fault Indicator • Back Lighting Indicator • P.C. Mount Indicators 		<ul style="list-style-type: none"> • Holder: White Polycarbonate • Termination: 0.5mm □ Leads • Installation: P.C. Mount/Solder 			
LUMEX PART NBR	EMITTED COLOR	OPERATING CURRENT (mA)	OPERATING TYP Volts (V)	BRIGHTNESS TYP (mCD) @	LED SERIES USED		
	PEAK(nm)			mA			
SSF-LXH1071ID	RED	635	10-25	2.1	15	20	SSL-LX509F3XX
SSF-LXH1071SRD	RED	660	10-25	1.7	70	20	SSL-LX509F3XX
SSF-LXH1071GD	GREEN	565	10-25	2.1	16	20	SSL-LX509F3XX
SSF-LXH1071YD	YELLOW	585	10-25	2.1	16	20	SSL-LX509F3XX
BI-COLOR OPTION							
SSF-LXH1071IGW	RED/GREEN	635/565	10-25	2.1	8/8	20	SSL-LX509F3IGW
LOW CURRENT OPTIONS							
SSF-LXH1071LID	RED	635	1-5	1.8	1.5	2	SSL-LX509F3LXX
SSF-LXH1071LGD	GREEN	565	1-5	1.8	1.5	2	SSL-LX509F3LXX
SSF-LXH1071LYD	YELLOW	585	1-5	1.8	1.5	2	SSL-LX509F3LXX

See pages 8 -14 for Max.operating limits and operating curves

DIMENSIONS (mm/inch) ±.2mm

